



ECOTECH MARINE SERVICE CO.,LTD.
88/84 Moo1,T.Rachathewa,A.Bangplee
P.Samutprakarn 10540 (THAILAND)

E-mail : info@ecotechmarine.co.th
Contact : +66 2-096-4964



Ex

Explosion proof products for hazardous area

Explosion proof product brochure







JJ97 Explosion-proof LED flood light

Description

- ⊙ High pressure die casting aluminum housing
The surface is sprayed with high pressure static electricity High explosion-proof grade, light and beautiful appearance
- ⊙ Professional cooling design structure, long life of LED lamps
- ⊙ Special tempered glass, impact resistance, high strength
- ⊙ High energy saving LED light source, imported light source, green, low energy consumption, long life, free maintenance



Technical Parameters

- ⊙ Product Power 50~300W
- ⊙ Input Voltage 85-265V
- ⊙ Frequency 50~60Hz
- ⊙ Power Factor 0.95
- ⊙ Lamp Brand Cree
- ⊙ Ex-mark Ex de II C T6 Gb
- ⊙ IP Rating IP65/IP66
- ⊙ Protection Grade WF2
- ⊙ CRI Ra > 85
- ⊙ Light Efficiency Ambient ≥120lm/W
- ⊙ Temp -30°C~+50°C
- ⊙ Service Life >50000H

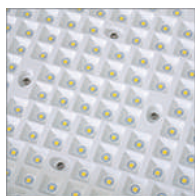
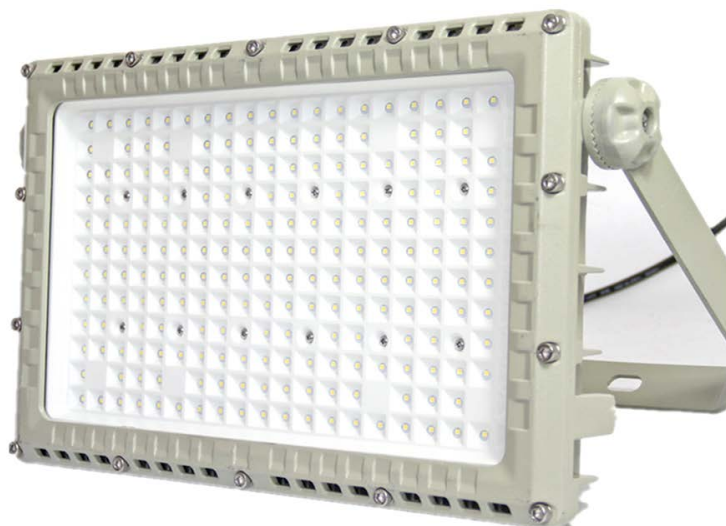


Item	Power	Dimension (mm)		
		Height (H)	Length (L)	Width (W)
JJ97	50/80/100W	166	330	255
JJ97	120/150/200W	166	446	306
JJ97	240/300W	200	520	360

JJ790 Explosion-proof LED flood light

Description

- ⊙ High pressure die casting aluminum housing
- ⊙ The surface is sprayed with high pressure static electricity
- ⊙ High explosion-proof grade, light and beautiful appearance
- ⊙ Professional cooling design structure, long life of LED lamps
- ⊙ Special tempered glass, impact resistance, high strength
- ⊙ High energy saving LED light source, imported light source, green, low energy consumption, long life, free maintenance



Technical Parameters

- ⊙ Product Power 30~240W
- ⊙ Input Voltage 85-265V
- ⊙ Frequency 50~60Hz 0.95
- ⊙ Power Factor CREE
- ⊙ Lamp Brand Ex d e II C T6 Gb
- ⊙ Ex-mark IP65/IP66 WF2
- ⊙ IP Rating Ra > 85
- ⊙ Protection Grade ≥120lm/W
- ⊙ CRI Ra > 85
- ⊙ Light Efficiency ≥120lm/W
- ⊙ Ambient Temp -30°C~ +50°C
- ⊙ Service Life >50000H

Item	Power	Dimension (mm)		
		Height (H)	Length (L)	Width (W)
JJ790	30/40/50W	190	250	118
JJ790	60/70/80/100W	244	300	133
JJ790	120/150W	244	350	133
JJ790	180/200/240W	280	400	133



JJ830 Explosion-proof LED High bay light

Description

- ⊙ The light transmissive surface is made of 8mm thick high strength tempered glass;
- ⊙ The aluminum substrate adopts imported insulation layer from Taiwan, and the thermal conductivity is higher;
- ⊙ The lamp beads are made of American Lumileds chip;
- ⊙ Built-in high performance waterproof driver power supply, with lighting protection, surge protection, short circuit protection, over voltage protection, over current protection;
- ⊙ The diameter of the outlet is G3/4, and the wire sleeve is made of high temperature resistant silicone material. It will not deform after long-term compression, and will not harden, ensuring long-lasting effective flameproof performance.



Technical Parameters

⊙ Product Power	50~200W
⊙ Input Voltage	85-265V
⊙ Frequency	50~60Hz
⊙ Power Factor	0.95
⊙ Lamp Brand	CREE
⊙ Ex-mark	Ex d e mb II C T6 Gb
⊙ IP Rating	IP65/IP66
⊙ Protection grade	WF2
⊙ CRI	Ra > 85
⊙ Light Efficiency	≥120lm/W
⊙ Ambient temp	-30°C~+50°C
⊙ Service Life	>50000H



Item	Power	Dimension (mm)			Weight (kg)
		Height (H)	Length (L)	Width (W)	
JJ830	50W	155	220	220	3.7
JJ830	100W	155	220	220	4.2
JJ830	150W/200W	220	290	290	5.8

JJ210 Explosion-proof LED High bay light



Description

- ⊙ The light transmissive surface is made of 8mm thick high strength tempered glass;
- ⊙ The aluminum substrate adopts imported insulation layer from Taiwan, and the thermal conductivity is higher;
- ⊙ The lamp beads are made of American CREE chip;
- ⊙ Built-in high performance waterproof driver power supply, with lighting protection, surge protection, short circuit protection, over voltage protection, over current protection;
- ⊙ The diameter of the outlet is G3/4, and the wire sleeve is made of high temperature resistant silicone material. It will not deform after long-term compression, and will not harden, ensuring long-lasting effective flameproof performance.

Technical Parameters

- ⊙ Product Power 30~240W
- ⊙ Input Voltage 85-265V
- ⊙ Frequency 50~60Hz
- ⊙ Power Factor 0.95
- ⊙ Lamp Brand Cree
- ⊙ Ex-mark Ex d e mb II C T6 Gb
- ⊙ IP Rating IP65/IP66
- ⊙ Protection Grade WF2
- ⊙ CRI Ra > 85
- ⊙ Light Efficiency ≥120lm/W
- ⊙ Ambient Temp -30°C~+50°C
- ⊙ Service Life >50000H



Item	Power	Height (H)	Dimension (mm)		Weight (kg)
			Length (L)	Width (W)	
JJ210	30/40/50W	270	220	220	5.5
JJ210	80/100W	285	260	260	6.6
JJ210	120/150W	320	310	310	9.4
JJ210	200W/240W	315	430	430	10.5



JJ790L Explosion-proof LED street light

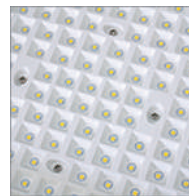
Description

- ⊙ High pressure die casting aluminum housing
- ⊙ The surface is sprayed with high pressure static electricity
- ⊙ High explosion-proof grade, light and beautiful appearance
- ⊙ Professional cooling design structure, long life of LED lamps
- ⊙ Special tempered glass, impact resistance, high strength
- ⊙ High energy saving LED light source, imported light source, green, low energy consumption, long life, free maintenance



Technical Parameters

⊙ Product Power	30~200W
⊙ Input Voltage	85-265V
⊙ Frequency	50~60Hz
⊙ Power Factor	0.95
⊙ Lamp Brand	CREE
⊙ Ex-mark	Ex de II C T6 Gb
⊙ IP Rating	IP65/IP66
⊙ Protection Grade	WF2
⊙ CRI	Ra > 85
⊙ Light Efficiency	≥120lm/W
⊙ Ambient Temp	-30°C~+50°C
⊙ Service Life	>50000H



Item	Power	Dimensionmm)			Weight (kg)
		Height (H)	Length (L)	Width (W)	
JJ790L	30/40/50W	560	180	55	7.2
JJ790L	60/70/80/100W	560	180	55	7.2
JJ790L	120/150W	635	240	55	9.8
JJ790L	180/200W	730	275	55	12.3



BYS Explosion-proof lighting fixture

Description

- ⊙ Stripe light cover is with high light transmittance, not dazzling, the light is even and soft downy;
- ⊙ Flame retardant light feet is made of high quality flame retardant materials, with good heat resistance;
- ⊙ Highlight energy-saving LED light source, green environmental protection, with low energy consumption, maintenance free and other advantages;
- ⊙ The bottom shell is equipped with a fixed light cover buckle, with high strength and not easy to damage, so that the light can be installed quickly.



Technical Parameters

- ⊙ Product Power 2x9W/2x18W
- ⊙ Input Voltage 220V
- ⊙ Frequency 50~60Hz
- ⊙ Power Factor 0.95
- ⊙ Lamp Brand T5/T8
- ⊙ Ex-mark Exde IIB T6
- ⊙ IP Rating IP65
- ⊙ Protection grade WF2
- ⊙ CRI Ra > 85
- ⊙ Light Efficiency ≥100lm/W
- ⊙ Ambient temp -30°C~+50°C
- ⊙ Service Life >50000H
- ⊙ Interface specification G3/4
- ⊙ Cable specification 8mm~12mm



Item	Power	Dimension (mm)			Weight (kg)
		Height (H)	Length (L)	Width (W)	
BYS-600	2x9W	120	798	208	3.9
BYS-1200	2x18W	120	1380	208	7.6

BPY Explosion-proof lighting fixture

Description

- ⊙ Cast aluminum alloy shell, die-casting, surface spray, light structure;
- ⊙ When replacing the lamp, you only need to unscrew the end cap to replace the lamp directly.
- ⊙ The shell adopts a full-plastic lamp tube with high light transmittance and strong impact resistance;
- ⊙ Steel pipe or cable wiring



Technical Parameters

- ⊙ Product Power 18~36W
- ⊙ Input Voltage 220V
- ⊙ Frequency 50~60Hz
- ⊙ Power Factor 0.95
- ⊙ Lamp Brand LED
- ⊙ Ex-mark Exde IIB T6
- ⊙ IP Rating IP65
- ⊙ Protection grade WF2
- ⊙ CRI Ra > 85
- ⊙ Light Efficiency ≥100lm/W
- ⊙ Ambient temp -30°C~+50°C
- ⊙ Service Life >50000H
- ⊙ Interface specification G1/2
- ⊙ Cable specification 6mm~8mm



Item	Power	Height (H)	Dimension (mm)		Weight (kg)
			Length (L)	Width (W)	
BPY	1x18W	70	1320	70	3.1
BPY	2x18W	70	1320	160	7.2

JJ930 Explosion-proof LED Linear light



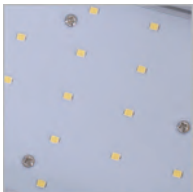
Description

- ◎ Cast aluminum alloy shell, die-casting, surface spray, light structure;
- ◎ When replacing the lamp, you only need to unscrew the end cap to replace the lamp directly
- ◎ The shell adopts a full-plastic lamp tube with high light transmittance and strong impact resistance;
- ◎ Steel pipe or cable wiring



Technical Parameters

- ◎ Product Power 20~100W
- ◎ Input Voltage 85-265V
- ◎ Frequency 50~60Hz
- ◎ Power Factor 0.95
- ◎ Lamp Brand TAIWAN
- ◎ Ex-mark Ex emb IIB T6
- ◎ IP Rating IP65
- ◎ Protection grade WF2
- ◎ CRI Ra > 85
- ◎ Light Efficiency ≥100lm/W
- ◎ Ambient temp -55°C~+60°C
- ◎ Service Life >50000H
- ◎ Interface specification G1/2
- ◎ Cable specification 6mm~10mm



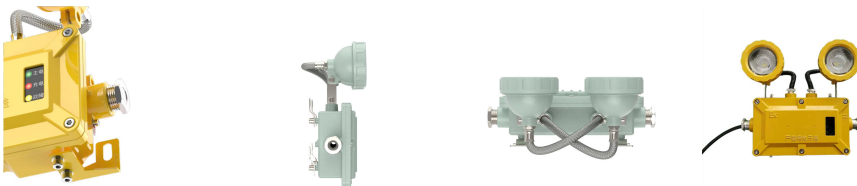
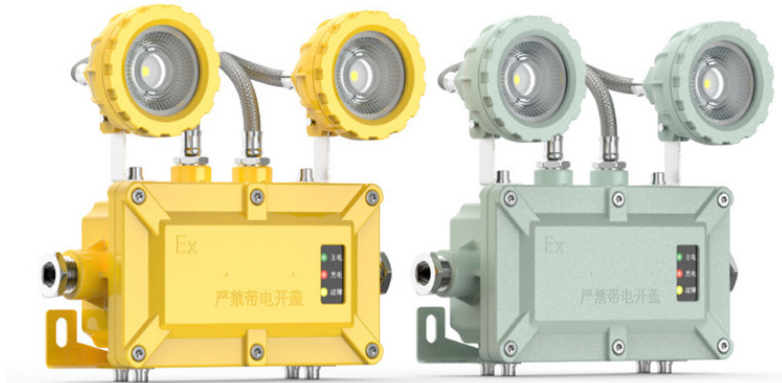
Item	Power	Dimension (mm)			Weight (kg)
		Height (H)	Length (L)	Width (W)	
JJ930	20/30/40W	50	580	100	2.1
JJ930	50/60/70W	50	775	110	2.6
JJ930	80/90/100W	50	1000	110	3.5

Description

- ⊙ high-pressure casting aluminum shell and stainless steel molding, and the surface is sprayed with high-voltage static electricity after shot blasting.
- ⊙ Exposed fasteners are made of stainless steel with high corrosion resistance;
- ⊙ Built-in maintenance-free battery pack, automatic charging under normal power supply, emergency in case of accidental power failure, the light is automatically turned on;
- ⊙ Emergency working time $\geq 90\text{min}$;
- ⊙ Automatically switch emergency and have functions such as over-discharge and over-charge protection.

Technical Parameters

- ⊙ Product Power 2x3W
- ⊙ Input Voltage 220V
- ⊙ Frequency 50~60Hz
- ⊙ Power Factor 0.95
- ⊙ Ex-mark Ex d e II C T6 Gb
- ⊙ IP Rating IP65
- ⊙ Protection grade WF2
- ⊙ Emergency power voltage 6V
- ⊙ Charging time 24h
- ⊙ Emergency start up 0.3s
- ⊙ Emergency duration $\geq 90\text{min}$
- ⊙ Cable specification 9~14mm



Item	Dimension (mm)			Weight (kg)
	Height (H)	Length (L)	Width (W)	
BCJ	240	260	75	3



BYY Explosion-proof Sign light

Description

- ⊙ high-pressure casting aluminum shell, and the surface is sprayed with high-voltage static electricity after shot blasting.
- ⊙ Exposed fasteners are made of stainless steel with high corrosion resistance;
- ⊙ Built-in maintenance-free battery pack, automatic charging under normal power supply, emergency in case of accidental power failure, the light is automatically turned on;
- ⊙ Emergency working time $\geq 90\text{min}$;
- ⊙ Automatically switch emergency and have functions such as
- ⊙ over-discharge and over-charge protection.



Technical Parameters

⊙ Input Voltage	220V
⊙ Frequency	50~60Hz
⊙ Power Factor	0.95
⊙ Ex-mark	Ex d e II C T6 Gb
⊙ IP Rating	IP65
⊙ Protection grade	WF2
⊙ Emergency power voltag	6V
⊙ Charging time	24h
⊙ Emergency start up	0.3s
⊙ Emergency duration	$\geq 90\text{min}$
⊙ Cable specification	9~14mm



Item	Height (H)	Dimension (mm)		Weight (kg)
		Length (L)	Width (W)	
BYY	165	375	75	2.88

JJ95X12 Explosion-proof Ceiling light

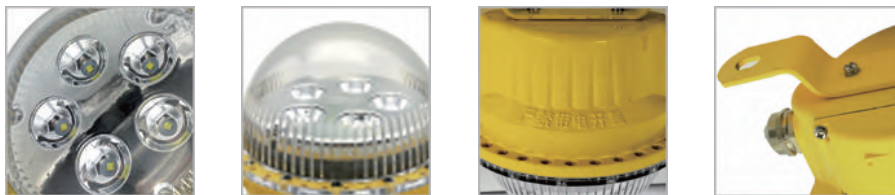


Description

- ⊙ The shell is made of light alloy material, with high light transmittance and good impact resistance, which can make the lamp work normally under various harsh environments.
- ⊙ The transparent soap is made of polycarbonate material, which has high light transmittance, impact resistance and photoaging resistance; The reflector is anodized with high-purity aluminum material and has high reflectivity;
- ⊙ Adopting high-energy-saving LED light source, imported light source, green and environmental protection, with low energy consumption, long life and maintenance-free;

Technical Parameters

- ⊙ Product Power 10~20W
- ⊙ Input Voltage 85-265V
- ⊙ Frequency 50~60Hz
- ⊙ Power Factor 0.95
- ⊙ Lamp Brand Lumileds
- ⊙ Ex-mark Ex d e mb II C T6 Gb
- ⊙ IP Rating IP65/IP66
- ⊙ Protection grade WF2
- ⊙ CRI Ra > 85
- ⊙ Light Efficiency ≥120lm/W
- ⊙ Ambient temp -55°C~+60°C
- ⊙ Service Life >50000H



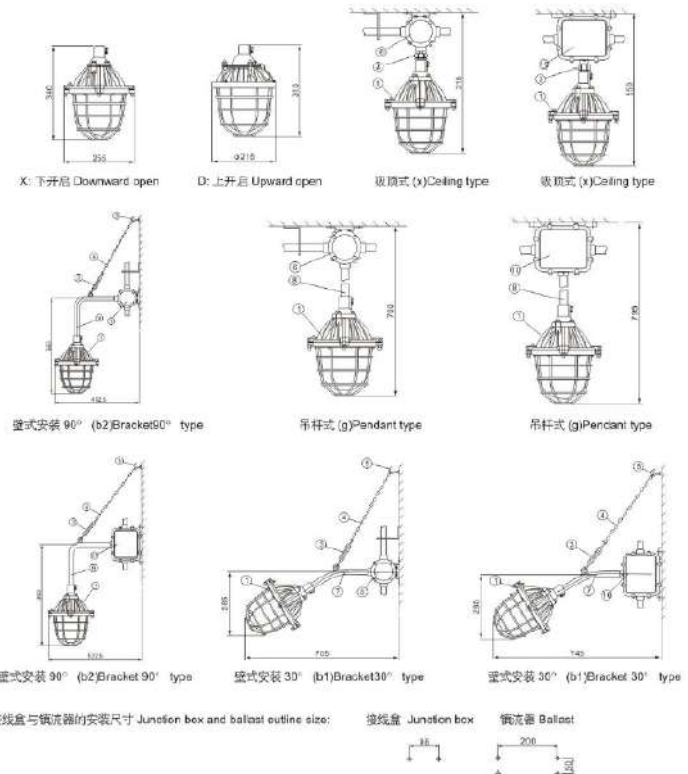
Item	Power	Height (H)	Dimension (mm) Length (L)	Power (W)	Weight (kg)
JJ95X12	10/20W	145	135	135	1.4

Description

- ⊙ The housing is die cast in aluminum alloy, with high voltage static plastic sprayed surface.
- ⊙ Lamp shade of tempered glass, stainless exposed fastener. The guard net surface is dipped after galvanized.
- ⊙ Fastened with eyelet bolt, it can be turned on quickly, installed and maintained conveniently.
- ⊙ The lamp shade may be mounted at request of users.
- ⊙ Conduit wiring.

Technical Parameters

- | | |
|-----------------------------|-----------------------------------|
| ⊙ Implementing the standard | GB 3836.1-2010、
GB3836.2-2010、 |
| ⊙ Explosion-proof mark | ExdII BT3 |
| ⊙ Protection grade | IP65 |
| ⊙ Explosion proof grade | WF1 |
| ⊙ Lamp specification | E27, E40 |
| ⊙ Inlet spec | G3/4" |
| ⊙ Cable spec | ⊙9mm-⊙14mm |

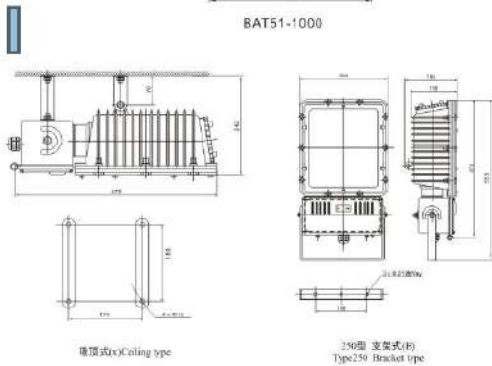
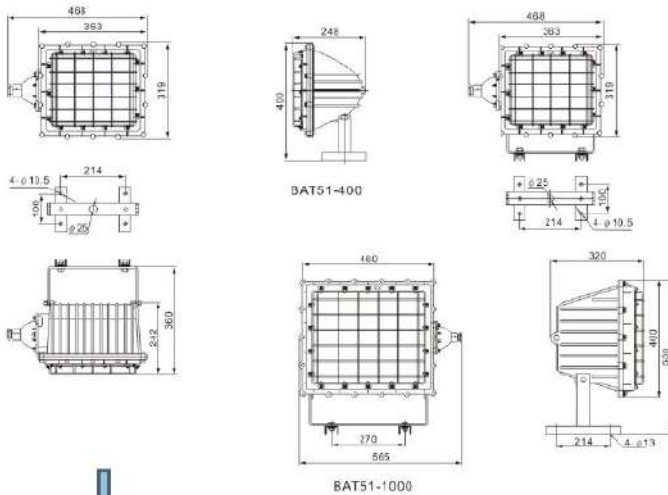


BAT51 Explosion-proof flood lamp



Description

- ⊙ The enclosure is made of firm aluminum alloy and proceeded by die casting, and the surface is treated by HV static powder coating;
 - ⊙ The lamp body can rotate 360° in level, its elevation is adjustable in the range of -60° ~ 90° ;
 - ⊙ The cover is opened from the side, which takes convenience for changing the bulb;
 - ⊙ It adopts the orange-peel diffusion reflection to make the light soft and large illumination angle;
- Cable is available for wiring.



Technical Parameters

Implementing the Standard	GB 3836.1-2010、 GB3836.2-2010、
Explosion-proof mark	Ex d IIB T3 Gb
Lamp specification	E27, E40
Inlet spec	G3/4"
Cable spec	∅10mm-∅14mm



BCZ8050 GRP Explosion-proof Plug&Socket

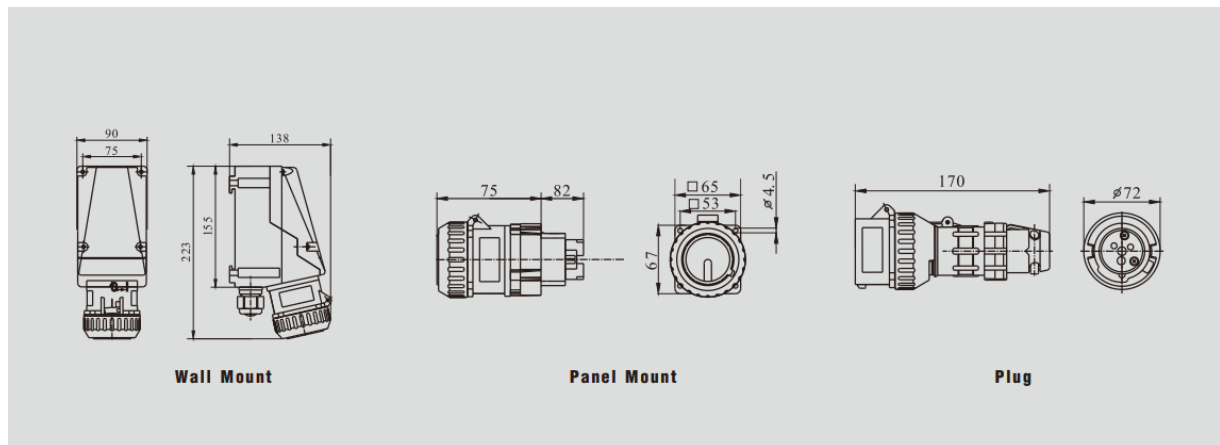
Description

- ⊙ The Shell is made of high strength engineering plastics with good properties such as anti-corrosion, anti-static impact resistance and thermal stability.
- ⊙ The utility model has a interlocking mechanism, and the plug can be pulled out only after the switch is segmented in the socket.
- ⊙ There is no padlock on the socket, when not in use, the socket cover can not be opened by padlock locking.
- ⊙ Convenient for field monitoring: Steel Pipe or cable wiring.



Technical Parameters

- | | |
|---------------------------|---|
| ⊙ Implementation Standard | GB 3836.1-2010,
GB 3836.2-2010,
GB 3836.3-2010. |
| ⊙ Explosion-proof mark | Ex de II CT6 |
| ⊙ Protection grade | IP65 |
| ⊙ Explosion proof grade | WF2 |



AC Explosion-proof Plug&Socket

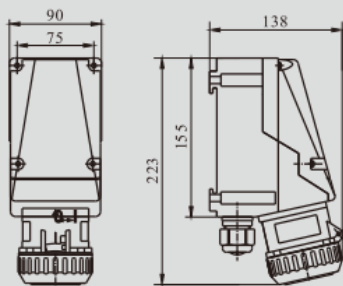


Description

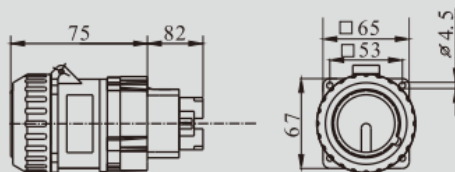
- ⊙ The housing is die cast in aluminum alloy, with high voltage static plastic-sprayed surface.
- ⊙ The plug together with switch is constructed to form interlocks. Only if switch is off, the plug can be drawn out.
- ⊙ Conduit wiring or cable wiring.

Technical Parameters

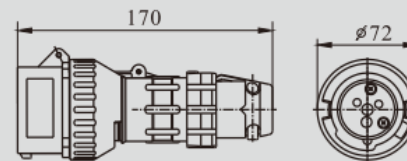
⊙ Implementing the Standard	GB3836.1-2010、 GB3836.2-2010、 GB3836.3-2010、
Explosion-proof mark	Ex de II BT4
Rated voltage	AC380V/220V/50HZ
Protection grade	IP65
Explosion-proof grade	WF1



Wall Mount



Panel Mount



Plug

Explosion-proof Axial Flow Fan



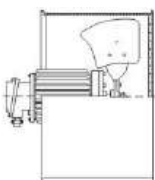
BFC



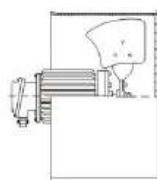
BT35



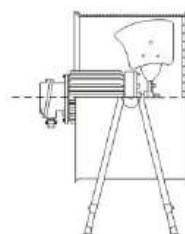
BTS



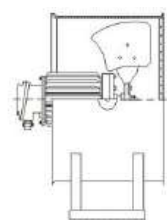
I - 壁式 Wall type



II - 管道式 Pipe type



III - 岗位式 Bracket type



IV - 固定式 Fixed type

Type	BFC Type	BT35 Type	BTS Type
Ex rate	Ex d IIB T4 Gb; Ex d IIC T4 Gb		
Degree of protection	IP54		
Rated voltage	220/380VAC		
Size of blade [mm]	300, 400, 500, 600	315; 400; 500; 600	500; 600; 750
Power consumption [W]	120; 180; 250; 370	180; 250; 550; 750; 1500	370; 550; 750
Air volume [m ³ /min]	2000; 2400; 4900; 9500	2273; 4687; 9133; 18250	6600; 9600; 18000



BBJ-I

Technical Parameters

⊙ Product Power	3W
⊙ Input Voltage	DC24V/AC220V
⊙ Ex-mark	Ex de IIB T6
⊙ IP Rating	IP65
⊙ Net weight	1.46kg
⊙ Sound intensity	90dB

Explosion proof sound-light alarm light



BBJ-IV

Technical Parameters

⊙ Product Power	5W
⊙ Input Voltage	DC24V/AC220V
⊙ Ex-mark	Ex de IIB T6
⊙ IP Rating	IP65
⊙ Net weight	1.77kg
⊙ Sound intensity	120dB

Explosion-proof three-color sound and light alarm light



BBJ-II

Technical Parameters

⊙ Product Power	5W
⊙ Input Voltage	DC24V/AC220V
⊙ Ex-mark	Ex de IIB T6
⊙ IP Rating	IP65
⊙ Net weight	1.77kg
⊙ Sound intensity	120dB

Explosion-proof three-color sound and light alarm light



BBJ-V

Technical Parameters

⊙ Product Power	10W
⊙ Input Voltage	DC24V/AC220V
⊙ Ex-mark	Exd IICT6
⊙ IP Rating	IP66
⊙ Net weight	0.77kg
⊙ Installation Method	立式、卧式

LED Sight hole light



BBJ-III

Technical Parameters

⊙ Product Power	10W
⊙ Input Voltage	DC24V/AC220V
⊙ Ex-mark	Ex de IIB T6
⊙ IP Rating	IP65
⊙ Net weight	3.34kg
⊙ Sound intensity	180dB

Explosion proof sound-light alarm light



JJZD

Technical Parameters

⊙ Product Power	5W/10W/20W
⊙ Input Voltage	DC24V/AC220V
⊙ Ex-mark	Ex de IIB T6
⊙ IP Rating	IP65
⊙ Net weight	3kg
⊙ Sound intensity	200cd

Explosion-proof aviation obstruction light



Portable Moving Work Light



JJ6102

Technical Parameters

⊙ Product Power	30W
⊙ Input Voltage	DC24V
⊙ Ex-mark	Ex d e II C T6
⊙ IP Rating	IP65
⊙ Charging time	<16h
⊙ Battery Lifespan	1000次循环

Item	Dimension (mm)			重量 (kg)
	Height (H)	Length (L)	宽 (W)	
JJ6102	568	271	227	18



JJ6110B

Technical Parameters

⊙ Product Power	4X500W
⊙ Input Voltage	AC220V
⊙ IP Rating	IP65
⊙ Protection Level	8
⊙ Working hours	13h
⊙ Operational Lifespan	3000hrs

Item	Height (H)	Dimension (mm)		Weight (kg)
		Length (L)	Width (W)	
JJ6110B	1580	800	500	72.5
		1600~4500		



JJ6105

Technical Parameters

⊙ Product Power	27W
⊙ Input Voltage	14.8V
⊙ Ex-mark	Ex d e II C T6
⊙ IP Rating	IP65
⊙ Charging time	<10h
⊙ Battery Lifespan	1000次循环

Item	Dimension (mm)			重量 (kg)
	Height (H)	Length (L)	宽 (W)	
JJ6105	600	290	225	5.3



JJ6110Q

Technical Parameters

⊙ Metal halide lamp Power	1000W
⊙ Input Voltage	AC220V
⊙ IP Rating	IP65
⊙ Protection level	8
⊙ Working hours	13h
⊙ Operational Lifespan	3000hrs

Item	Height (H)	Dimension (mm)		Weight (kg)
		Length (L)	Width (W)	
JJ6110Q	1580	800	500	58
		1600~4500		



JJ6102A

Technical Parameters

⊙ Product Power	30W
⊙ Input Voltage	DC24V
⊙ Ex-mark	Ex d e II C T6
⊙ IP Rating	IP65
⊙ Charging time	<16h
⊙ Battery Lifespan	1000

Item	Dimension (mm)			Weight (kg)
	Height (H)	Length (L)	Width (W)	
JJ6102A	568	271	227	18
		2800		2.5

Explosion-proof Torch Light

JJ7102



Technical Parameters

⊙ Product Power Input	9W
⊙ Voltage	DC11.1V
⊙ Ex-mark	Ex d ia IIC T6 Gb
⊙ IP Rating	IP68
⊙ Charging Time	7-8h

Item	Dimension (mm)			Weight (kg)
	Height (H)	Length (L)	Width (W)	
JJ7102	154	115	69	0.81

JJ7210



Technical Parameters

⊙ Product Power Input	3W
⊙ Voltage	DC3.7V
⊙ Ex-mark	Ex ib IIC T4 Gb
⊙ IP Rating	IP68
⊙ Charging Time	7-8h

Item	Dimension (mm)			Weight (kg)
	Height (H)	Length (L)	宽 (W)	
JJ7210	208	40	40	0.3

JJ7620



Technical Parameters

⊙ Product Power	3W
⊙ Input Voltage	DC3.7V
⊙ Ex-mark	Ex ib IIC T4 Gb
⊙ IP Rating	IP68
⊙ Charging Time	7-8h

Item	Dimension (mm)			Weight (kg)
	Height (H)	长 (L)	Width (W)	
JJ7620	138	28	28	0.13

JJ7623



Technical Parameters

⊙ Product Power Input	3W
⊙ Voltage	DC3.7V
⊙ Ex-mark	Ex ib IIC T4 Gb
⊙ IP Rating	IP65
⊙ Charging Time	7-8h

Item	Dimension (mm)			Weight (kg)
	Height (H)	长 (L)	宽 (W)	
JJ7623	158	35	35	0.17

JJ5130



Technical Parameters

⊙ Product Power	3W
⊙ Input Voltage	DC3.7V
⊙ Ex-mark	Ex ib IIC T3 Gb
⊙ IP Rating	IP65
⊙ Charging Time	5h

Item	Dimension (mm)			重量 (kg)
	Height (H)	长 (L)	宽 (W)	
JJ5130	80	61	65	0.10

Explosion-proof fittings

AH



Explosion proof junction box

YHXe



Explosion proof wire box

BHZ8050



Explosion-proof corrosion-resistant switch

SW-10



Explosion-proof lighting switch

BHZ51



Explosion-proof conversion switch



Explosion-proof cable gland



Explosion-proof connector



Explosion-proof flexible conduits